

ANKERSMID Universal Filter

AUF series

Application

Ankersmid Universal Filters are known as a reliable technique for the separation of particles from gas, ensuring a flow of clean gas to the analyzer. Filter housings in a variety of materials and standard dimensions are available.

The design of the filter and filter housing also ensures that any liquids present in the gas will be separated from the gas. Liquids are collected in the bottom of the filter-housing.

Due to its universal standard dimensions and functionality, the filter elements can also be used with any commercially available filter housings. The filters are easily replaced without the use of any additional tools.

Where needed, a liquid sensor or liquid drain can be installed at the bottom of the filter housing tube.

Description

The AUF modularity offers the following selection:

- Variety of filter element materials:
PTFE, Ceramics, SS316, glass-fiber
- Elements with lengths of 75 or 150 mm
- PVDF, PTFE or Stainless Steel head
- Glass or Stainless Steel filter body
- Closed or outlet at the bottom (for condensate alarm)

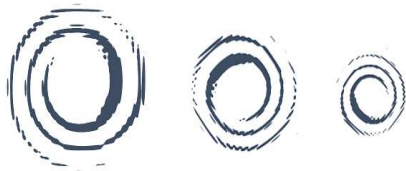
A glass filter body offers the benefit of determining the extent of soiling of the filter from the outside at a glance.

A special bracket is available to click the filters on the Ankersmid Modular System, ensuring quick (no drilling required) installation and easy rearrangement of the filters and gas lines connecting the individual components.



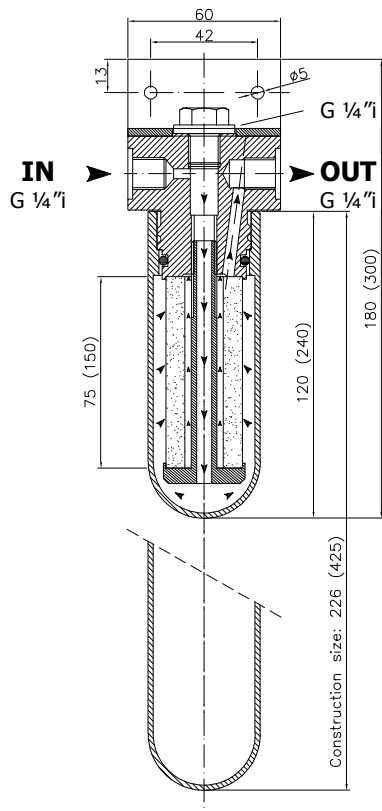
* Picture may vary

- **Universal in use**
- **Modular construction**
- **High variety of materials**
- **Deep-acting filter element**
- **Reliable separation of solids**
- **Wall-mounting**
- **Easy maintenance**

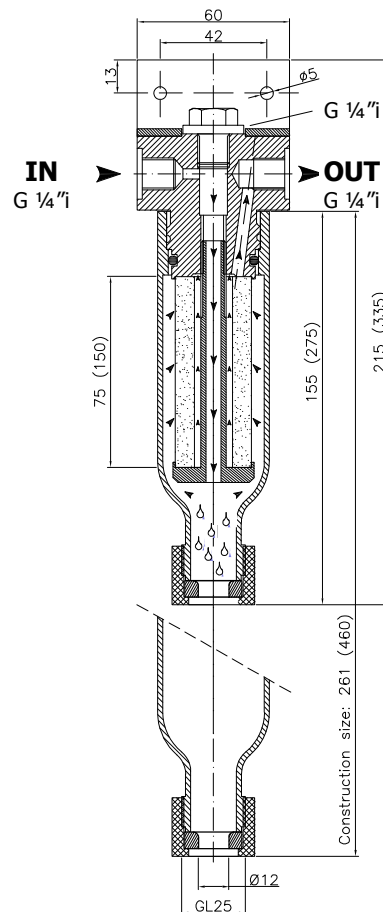


Dimensions

Filter unit without drain
For filtering element 75mm (150mm)



Filter unit with drain
For filtering element 75mm (150mm)



Length of filter element		75mm / 150mm
Sample connections: Gas inlet/-outlet		3x G 1/4"i (1x closed)
Condensate connection		GL25/12mm for Glass body / NPT 1/4"i for SS body
Pressure at 20°C		Max. 5 bar abs for Glass body without drain / Max. 200 bar for SS body (50 bar at 180°C)
Pressure with GL-connection adapter		Max. 2 bar abs.
Stagnant space		65cm ³ for filter 75mm / 190cm ³ for filter 150mm
Filter surface		70cm ² , for filter 75mm / 140cm ² for filter 150mm
Materials	Head	PVDF, PTFE, stainless steel 316L
	Filter elements	Ceramic, PTFE, Stainless steel, Glass-fiber
	Body	Duran Glass, Stainless Steel, PTFE
	Seals	FPM (head) PTFE/ Silicon (GL connection)
Temperature of ambient or sample		Max. 100°C (PTFE) / 180°C (stainless steel)
Mounting method		Wall-mounting / panel mounting / Ankersmid Modular System (AMS)
Weight		+/- 0,400 kg for PVDF & PTFE head + 75mm glass body / +/- 1,500 kg for SS head + 75mm SS body